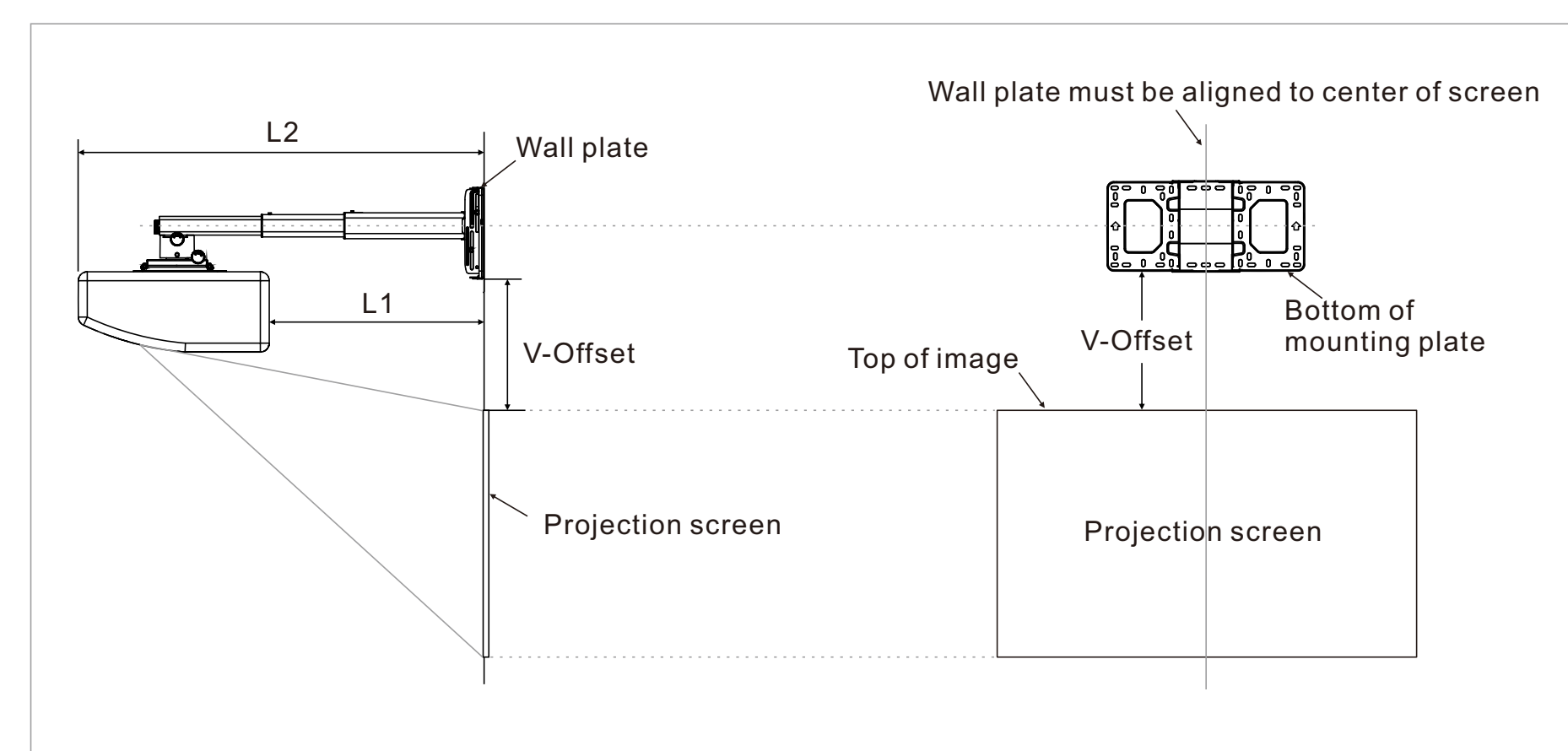


1080P [1920 x 1080]					
Projection image size		Installation distance			
Diagonal	Width x Height	Bottom height (V-Offset)	From a projecting surface to the rear of the unit L1	From a projecting surface to the rear of the unit L2	
inch	cm x cm	inch (cm)	inch (cm)	inch (cm)	
80	177 x 99.6	11.1(28.2)	1.63(4.1)	16.98(43.1)	
105	232 x 130	13.4(34)	6.87(17.5)	22.22(56.5)	
125	277 x 156	15.23(38.7)	11.06(28.1)	28.42(72.1)	
150	332 x 187	17.53(44.5)	16.3(41.4)	31.65(80.4)	

WXGA [1280 x 800]					
Projection image size		Installation distance			
Diagonal	Width x Height	Bottom height (V-Offset)	From a projecting surface to the rear of the unit L1	From a projecting surface to the rear of the unit L2	
inch	cm x cm	inch (cm)	inch (cm)	inch (cm)	
80	172 x 108	10.05(25.7)	20.15(51.2)	173.69(441.2)	
105	226 x 141	120.9(307.1)	73.67(187.1)	227.22(577.1)	
125	269 x 168	136.78(347.4)	116.48(295.9)	270.03(685.9)	
150	323 x 202	156.62(397.8)	169.99(431.8)	323.53(821.8)	

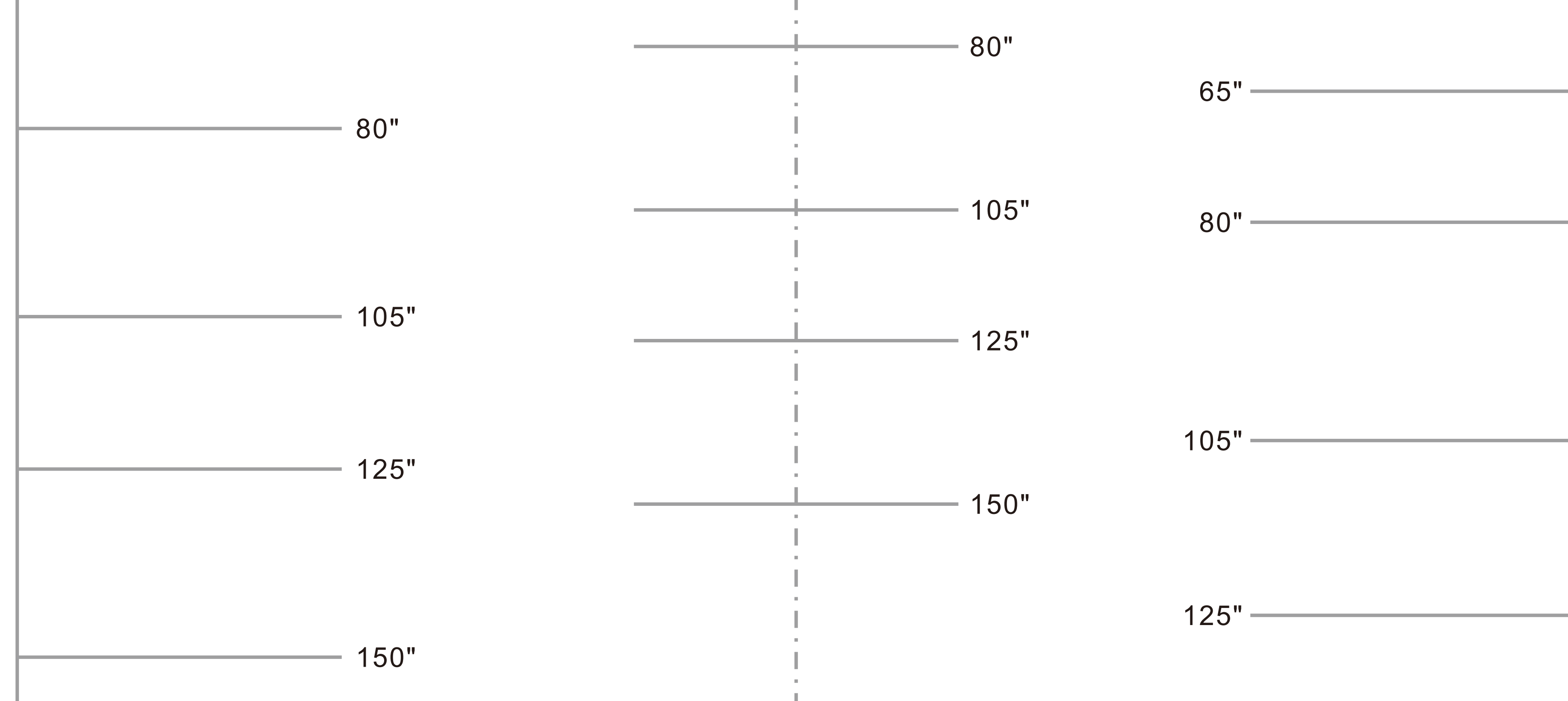
XGA [1024x768]					
Projection image size		Installation distance			
Diagonal	Width x Height	Bottom height (V-Offset)	From a projecting surface to the rear of the unit L1	From a projecting surface to the rear of the unit L2	
inch	cm x cm	inch (cm)	inch (cm)	inch (cm)	
65	132 x 99	106.49(270.5)	13.02(33.1)	166.57(423.1)	
80	163 x 120	122.4(310.9)	50.88(129.2)	204.42(519.2)	
105	213 x 160	148.9(378.2)	113.95(289.4)	267.50(679.4)	
125	254 x 191	170.1(432.1)	161.4(417.6)	317.95(807.6)	



1080P [1920 x 1080]

WXGA [1280 x 800]

XGA [1024 x 768]



- 技术要求:
1. 纸张大小: 480mm×700mm;
 2. 背面贴胶(普通双面胶), 两段双面胶(胶宽10mm, 长100mm), 位置如右图;
 3. 所用材料必须符合展旭《环境管理物质限定标准》规定。